

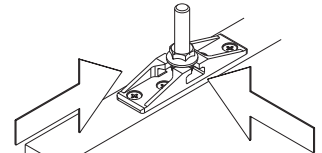
The classic hardware with two-way suspension
for lightweight sliding wood doors

HAWA-Junior 40 – 80/Z

About the product

The HAWA-Junior 40–80/Z, proven millionfold around the world, is the long time favourite under the sliding hardware systems. Its quality trolley runs so smoothly along the anodised tracks that it takes a pulling force of just 700 g (1.54 lbs.) to move a 40 kg (88 lbs.) door. And it is almost as easy to install it as it is to move it.

Hanging the doors, for instance, is a child's play thanks to the patented two-way suspension bracket screwed to the upper door edge. You can insert the suspension screw into the suspension unit either from the front or from the side. And things become even easier after installation. The HAWA-Junior 40–80/Z performs its many tasks throughout its entire life completely maintenance-free.



Sophisticated two-way suspension: the suspension screw can be inserted from the front or the side.



At a glance

- 2-roller trolleys with ball bearing technology for extra quiet running.
- Sophisticated two-way suspension allows variable door mounting and demounting.
- Stop bumper conveniently adjustable to suit the door weight.
- Rattle-proof floor guide prevents any rattling caused by operation and draught.
- Based on standard components, therefore simple to store.
- Vast range of accessories.

Technical specifications

HAWA-Junior 40/Z

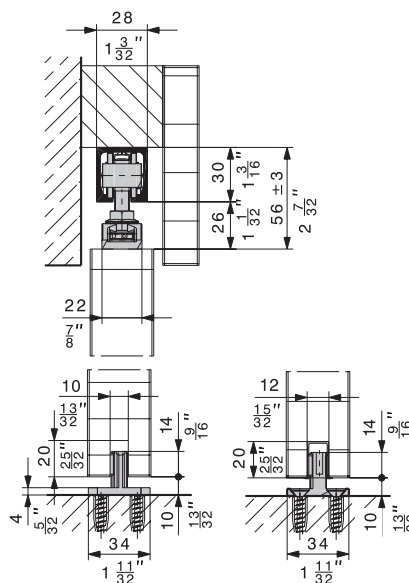
Max. door weight 40 kg (88 lbs.)

Height adjustable $\pm 3 \text{ mm}$ ($\frac{1}{8}''$)

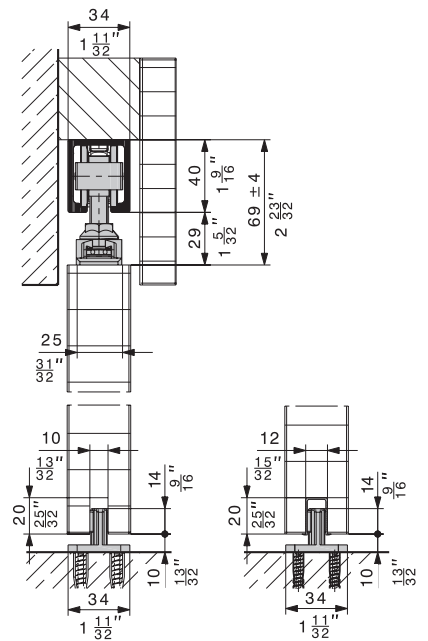
HAWA-Junior 80/Z

Max. door weight 80 kg (176 lbs.)

Height adjustable $\pm 4 \text{ mm}$ ($\frac{5}{32}''$)



HAWA-Junior 40/Z



HAWA-Junior 80/Z